

PRODUCT DETAILS

BiANCO NXT BLC series are horizontal, single stage, stainless steel centrifugal pumps, suitable for domestic and industrial applications.

Their premium quality stainless steel construction and nitrile elastomers allows for the pumping of clean or moderately aggressive fluids for temperatures up to 85 deg C

APPLICATIONS

- Pumping clean or moderately aggressive fluids
- Water supply
- Water transfer
- Water circulation
- Tank Emptying
- Pressure boosting
- Washing cars
- Gardening
- Irrigation
- Fountains
- Dairy services
- Vat wash

FEATURES

- Compact, simple design
- Close coupled 240V single phase TEFC motor with in-built auto reset thermal overload
- Quiet and reliable
- Floating nose sealing ring for higher efficiency
- Corrosion resistant 304 stainless steel pump body, impeller, diffuser, seal support and pump shaft. Nitrile o-rings

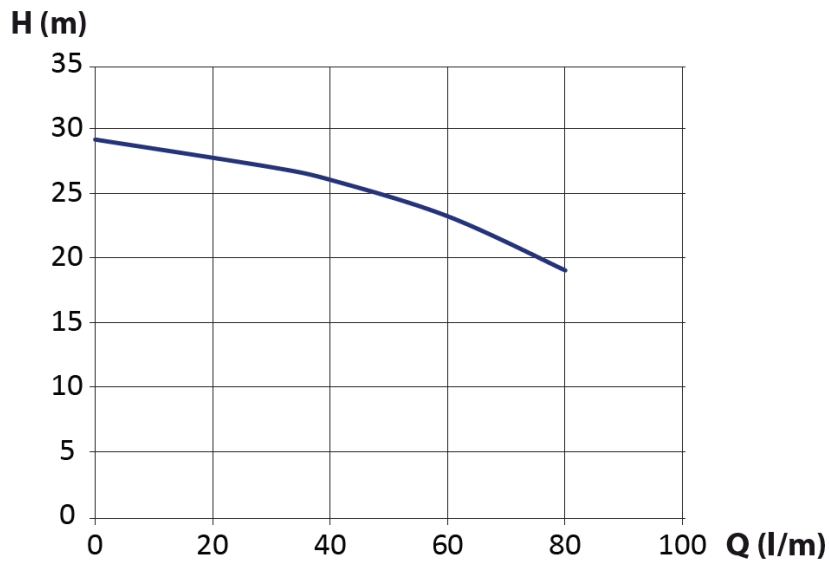


TECHNICAL DATA

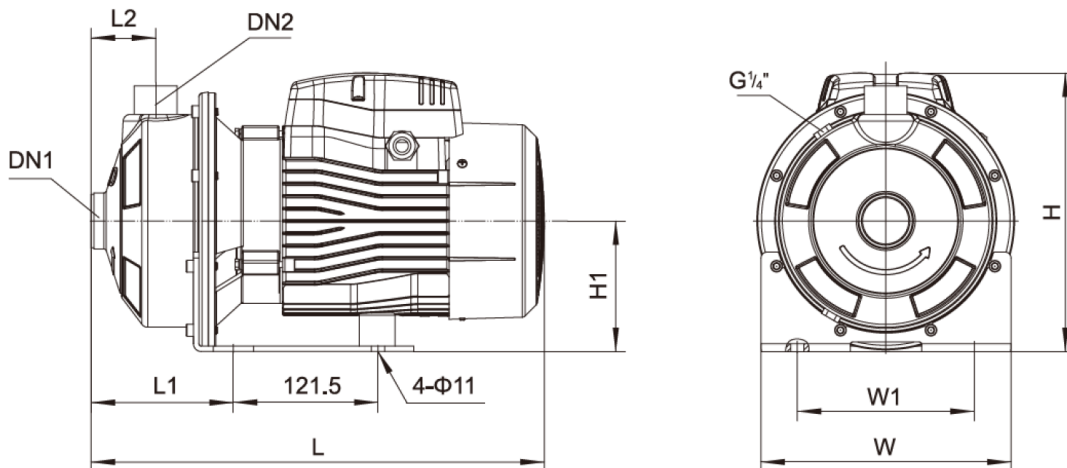
RATED POWER (W)	0.55kW
MAX. FLOW [LPM]	80 l/min
MAX. HEAD [M]	29.5m
MAX OPERATING PRESSURE	8 bar
MOTOR INSULATION	F Class
MOTOR PROTECTION	In-built thermal overload
MAX AMBIANT TEMP	40 deg C
MAX LIQUID TEMPERATURE	3 - 85 deg C
MECHANICAL SEAL	Graphite/Ceramic/Nitrile

RATED VOLTAGE	230v (-6%, +10%) 1 PH 50 Hz
RATED CURRENT	4 amps
CAPACITOR	16uF 450V
POWER CABLE TYPE	1.5m H07RNF with 10 amp Au/NZ 3 pin plug
PROTECTION CLASS	IP44
INLET	1 1/4" BSPF
OUTLET	1" BSPF
CARTON DIMENSIONS	380 x 240 x 270mm
GROSS WEIGHT (KG)	12.5 kg

CURVE



DIMENSIONS



Model	DN1 (BSPF)	DN2 (BSPF)	L (mm)	W (mm)	H (mm)	L1 (mm)	L2 (mm)	W1 (mm)	H1 (mm)
BIA-BLC70-55S2	1-1/4"	1"	332	210	224	119	55	149	110

WARRANTY / CERTIFICATIONS

